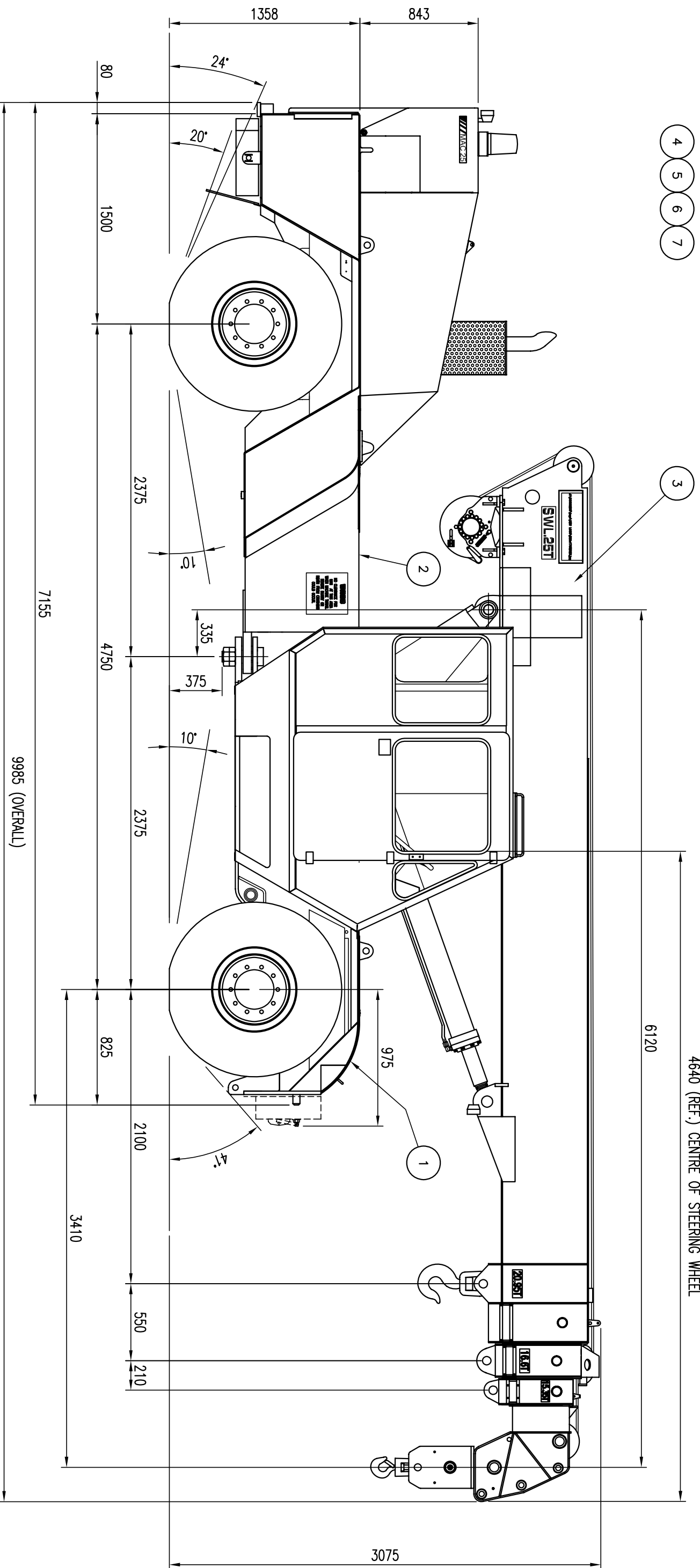


KITS NOT ILLUSTRATED
 4 5 6 7



4640 (REF.) CENTRE OF STEERING WHEEL

6120

3075

9985 (OVERALL)

NOMINAL TARE: (C/WEIGHT REAR)
 FRONT : 9850 kg
 REAR : 14040 kg
 TOTAL : 23900 kg

NOMINAL TARE: (C/WEIGHT FRONT)
 FRONT : 11900 kg
 REAR : 12000 kg
 TOTAL : 23900 kg

TURNING RADIUS : 7900mm
 WIDTH : 2720mm

REV	CHG	BY	DATE	UNLESS OTHERWISE STATED ALL WELDING TO AS1554 CATEGORY SP AND ALL DIMENSIONS IN (mm) & TOLERANCED TO LIMITS SHOWN
1				
2				
3				
4				
5				
6				
7				
8				
9				
10				
11				
12				
13				
14				
15				
16				
17				
18				
19				
20				
21				
22				
23				
24				
25				
26				
27				
28				
29				
30				
31				
32				
33				
34				
35				
36				
37				
38				
39				
40				
41				
42				
43				
44				
45				
46				
47				
48				
49				
50				
51				
52				
53				
54				
55				
56				
57				
58				
59				
60				
61				
62				
63				
64				
65				
66				
67				
68				
69				
70				
71				
72				
73				
74				
75				
76				
77				
78				
79				
80				
81				
82				
83				
84				
85				
86				
87				
88				
89				
90				
91				
92				
93				
94				
95				
96				
97				
98				
99				
100				

FRANWA CRANES PTY LTD
 MOBILE CRANE MANUFACTURERS
 A.C.N. 010 671 048

Title
 MAC 25 WITH
 OM906 & MD3060
 MAC 25 CRANE

DRG No.
MC25-A-1-055

THIS DRAWING SHALL REMAIN THE SOLE PROPERTY OF FRANWA CRANES PTY. LTD. & MUST NOT BE COPIED OR DISCLOSED WITHOUT THEIR WRITTEN APPROVAL.

PRODUCT No. : MXA1055-

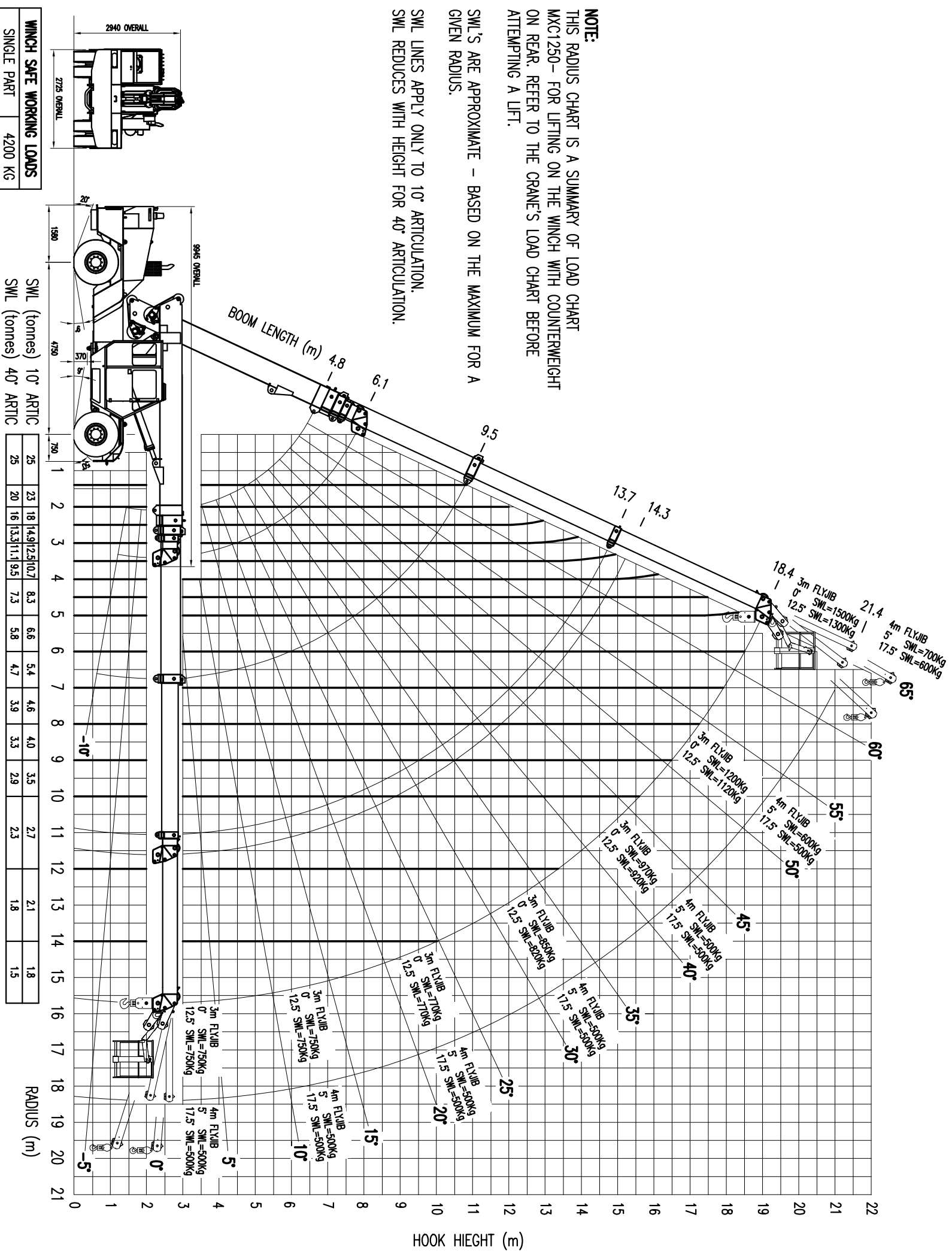
DATE 11/02/04
 DRN
 SR

REV

NOTE:
 THIS RADIUS CHART IS A SUMMARY OF LOAD CHART
 MAC1250 – FOR LIFTING ON THE WINCH WITH COUNTERWEIGHT
 ON REAR. REFER TO THE CRANE'S LOAD CHART BEFORE
 ATTEMPTING A LIFT.

SWL'S ARE APPROXIMATE – BASED ON THE MAXIMUM FOR A
 GIVEN RADIUS.

SWL LINES APPLY ONLY TO 10° ARTICULATION.
 SWL REDUCES WITH HEIGHT FOR 40° ARTICULATION.



SWL (tonnes) 10° ARTIC
 SWL (tonnes) 40° ARTIC

25	23	18	14.9	12.5	10.7	8.3	6.6	5.4	4.6	3.9	3.3	2.9	2.3	2.1	1.8
20	16	13.3	11.1	9.5	7.3	5.8	4.7	3.9	3.3	2.9	2.3	1.8			

RADIUS (m)

REV	CHG	BY	INTER	DATE	UNLESS OTHERWISE STATED ALL WELDING TO AS1554 CATEGORY SP AND ALL DIMENSIONS IN (mm) & TOLERANCED TO LIMITS SHOWN.	AS 1100	DATE
B	UPDATED	SR	YES	16/07/04		DO NOT SCALE	DRN
A	40° SLEW ADDED	MW	YES	20/12/99		SHEET SIZE A3	CKD
	CHANGE DETAILS	CHG No.	BY	INTER	DATE	SCALE 1:125	APPD

FRANVIA CRANES LTD
 MOBILE CRANE MANUFACTURERS
 A.C.N. 010 671 048

LOAD CHART PICTORIAL
 MAC 25 CRANE

DRG No. **MC25-A-1-017**

REV **B**

THIS DRAWING SHALL REMAIN THE SOLE PROPERTY OF FRANVIA CRANES PTY. LTD. & MUST NOT BE COPIED OR DISCLOSED WITHOUT THEIR WRITTEN APPROVAL.
 PRODUCT No.: MXA1017B